



Version 1.0

V-Rack Instructions Manual

BEFORE YOU BEGIN

To ensure the best service and satisfaction from your Advantage® Sports Rack V-Rack, please read and follow all instructions, recommendations, and warnings. Heinger Holdings, LLC is not responsible for damage or injury due to misuse of the V-Rack product. And we always want to hear from you about our products and service. Contact us at info@heinger.biz.

VERIFY ALL PARTS ARE INCLUDED IN PACKAGE:

V-Rack Contents List

- 1 - Completely assembled V-Rack, 2-Bike Carrier
- 4 - Rubber-like, straps to attach to the saddles holding the bikes in place
- 1 – Coiled, red security strap
- 1 – Storage/Carry bag

If you find a discrepancy, call us and we will help with any issues or questions.

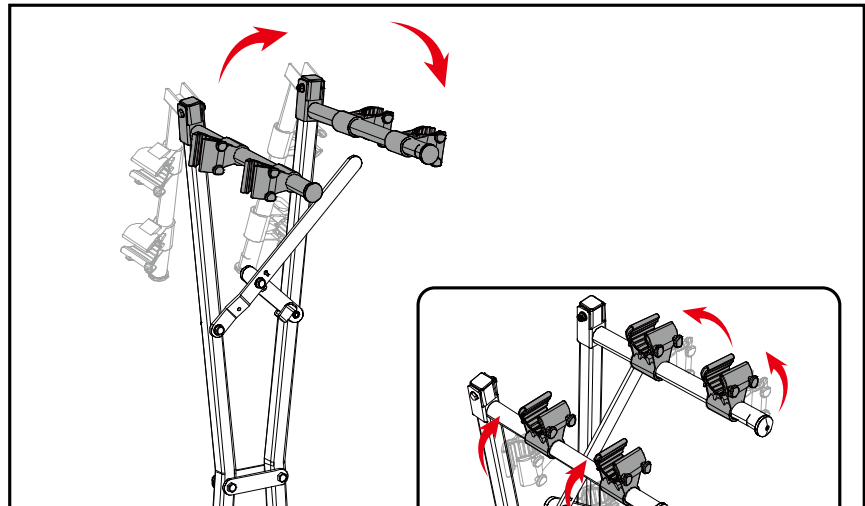
Toll Free 888-722-5240 (Pacific Coast, USA Time Zone)

Installation of the V-Rack - Model: 1011

The V-Rack is a very unique bike carrier. It is designed to clamp onto the 2" x 2" insert (sometimes referred to a "Stinger-Tube") that fits into the more common 2 x 2" receiver hitch. The clamping power or pressure is a lot. It needs to be this firm in order to stabilize the 2 bikes that you may want to carry. The weight limit must be 26 kg or 57 lbs. maximum.

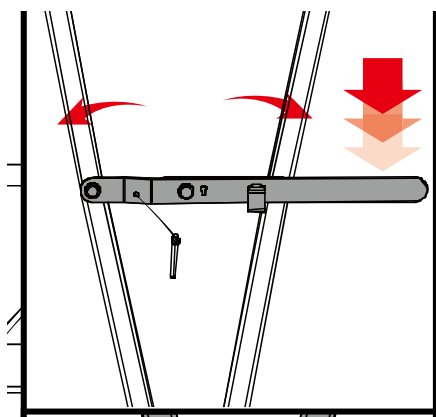
You must first align the V-Rack with the 2" x 2" insert tube. It will need to have about 1½" of clamping space on the insert tube. There must be this much space for it to clamp on for proper use.

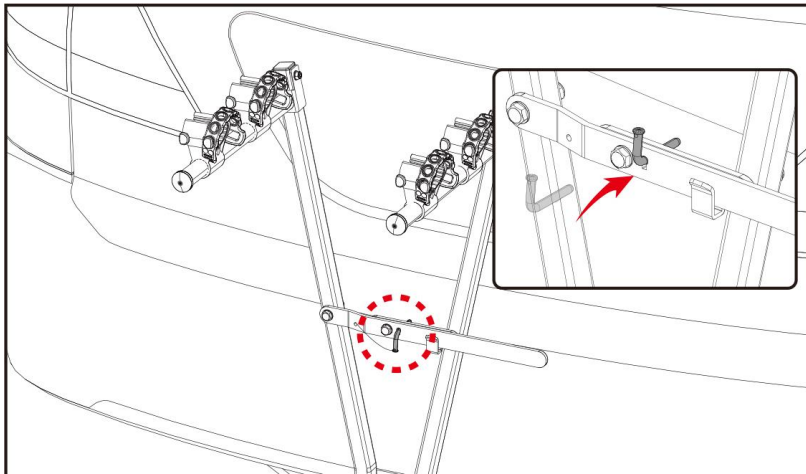
1. Flip the supporting arms to be horizontal, turn the cradles upward. Now slide the lower "jaws" of the V-Rack over the open area of the insert and



spread the top of the tubes away from each other so they nest on the 2 x 2 insert tube.

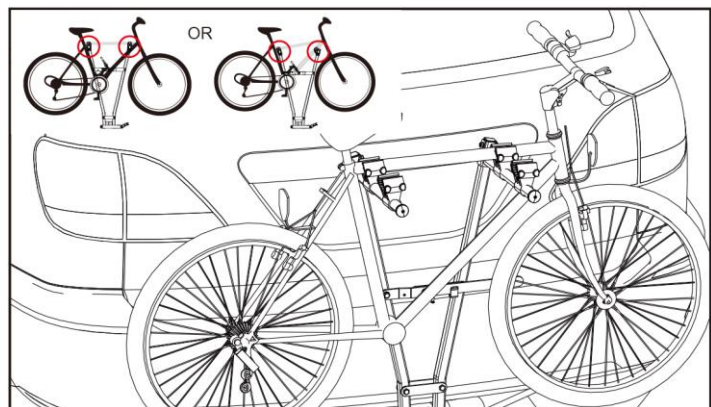
2. After you spread the tubes apart, press down the connection lever (blue). Now attach the straps (4) to the saddles. The rectangular end slips over the inside (nearest the vehicle)

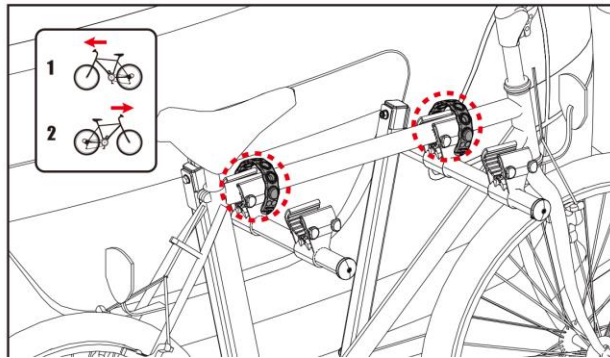




3. Insert the security pin, and turn 180 degrees. Then insert the bridge pin through the small hole in the pin.

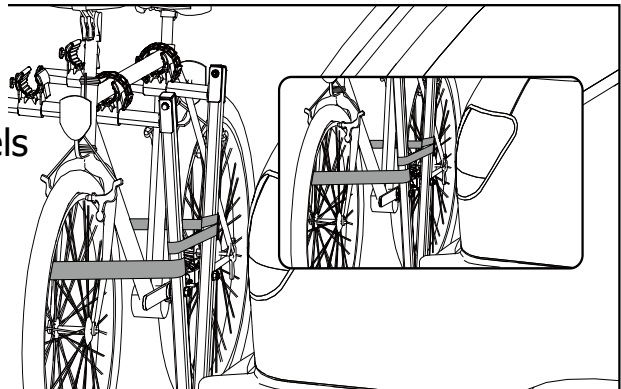
4. Mount bikes on the V-Rack carrier. Use either of the little mushrooms (R or L) to attach the loose end of the strap.





5. Load bikes alternatively and secure them by using rubber straps.

6. Pass the safety strap through wheels and frames to secure the bikes.



When in USE

- Do not stand or ride on V-Rack while the vehicle is in motion.
- Ensure the vehicle engine is shut off before/during installing, loading/unloading V-Rack.
- Best practice: always stow V-Rack in its storage bag when not in use.
- Do not use V-Rack as a towing device.

Spares & Replacements

Item/Product	Description	Price with Handling-shipping
#1012 4pk	Replacement Straps	\$14.95
#1011-BAG	Replacement Storage bag for V-Rack	\$14.95
#6007 Tube	Stinger tube replacement (in the event you don't have a towing stinger-tube)	\$19.95
#6008 Converter	Converter/riser (converts from a 1¼" hitch to a2 x 2 mounting tube)	\$39.95

Care and Maintenance

- Wash the V-Rack after use. Dry and store in the bag provided.
- Please remember to remove and stow the V-Rack if you drive through an automated car wash.
- Routine lubrication of V-Rack is highly recommended. Use 3-In-One® Oil generously and often.



For more information on 3-In-One Oil, please visit www.3inone.com



Please share & show your bikes on the V-Rack by uploading a photo/comments onto the **Advantage Sports Rack** Facebook page.



Version 1.0

If you have questions: Call 888-722-5240

(Real people, in the USA, will actually answer the call!)

Office Hours Monday-Friday 8 A.M. – 5 P.M. Pacific Time

Email: help@heininger.biz

Two-Year Limited Liability, Warranty Policy

Heininger Holdings, LLC, warrants the original owner of each new Advantage Sports Rack product against defects in workmanship and materials for two years from the date of purchase (at retail) of the product, provided it is purchased from an authorized Advantage Sports Rack dealer. This Limited Two Year Warranty is not transferable and shall only apply to normal and ordinary use, for which the product was intended.

Warranty claims are to be made directly to Heininger Holdings and must be accompanied by a sales receipt or other appropriate proof-of-purchase document. Should this product or any part or accessory be determined by Heininger Holdings, to be defective and covered by this Limited Two Year Warranty, it will be repaired or replaced at the option of Heininger Holdings, without further charge. The cost of transportation to and from the Heininger warranty inspection facility for repair or replacement of any defective part and/or accessory and any related charges is not covered by this warranty, and is to be paid by the owner.

The warranty does not cover normal wear and tear, worn and normal use cosmetic blemishes, improper assembly, lack of maintenance, or custom alteration/installation of any parts or accessories not originally intended or compatible with the product as sold. The warranty does not apply to damage or failure resulting from an accident, abuse or neglect.

This warranty is given in lieu of all other expressed warranties, implied warranties, including without limitation implied warranties of merchandising ability and fitness for a particular purpose, and are limited to the duration and specification of this warranty. In no event shall Heininger Holdings, be liable for damages in excess of the purchase price of the Advantage Sports Rack product, for any loss of use, loss of time, inconvenience, commercial loss, lost profits or savings or any incidental, special, consequential, direct or indirect damages arising out of the use or inability to use such product, to the full extent as such may be disclaimed by the law. Labor charges for part changeover are not covered by this warranty.

Advantage is a registered trademark of Heininger Holdings, LLC, Bellingham, WA,
3-In-One® is a registered trademark of WD-40 Company, San Diego, CA