



HitchMate
Version 1.0

Fold Up Cargo Carrier

Assembly Manual

BEFORE YOU BEGIN

To ensure the best service and satisfaction from your HitchMate product, please read and follow all instructions, recommendations, and warnings. Heininger Holdings, LLC is not responsible for damage or injury due to misuse of the Cargo Carrier product. We always want to hear from you about our products and service. Contact us at info@heininger.biz.

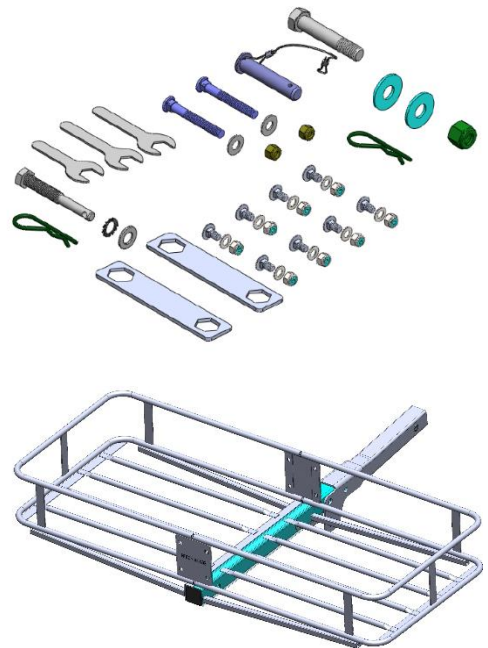
VERIFY ALL PARTS ARE INCLUDED IN PACKAGE:

Hardware Parts List

- 1 – Threaded Hitch Bolt ½" diameter
- 1 – Washer for hitch bolt
- 1 – Star Lock Washer for hitch bolt
- 1 – Bridge Pin for hitch bolt
- 2 – Box Wrenches
- 3 – Open End Wrenches
- 2 – 3" Carriage Bolts w/ matching washers and nuts
- 1 – Clevis Pin & tether w/ bridge pin
- 1 – 4" Hex Head Bolt w/ matching washers and nut
- 8 – ¾" Carriage Bolts w/ matching washers and nuts

Main Components List

- 1 – Basket, left side
- 1 – Basket, right side
- 2 – Square Plates
- 1 – Receiver Tube
- 1 – Center Tube



If you find a discrepancy, call us and we will help with any issues or questions.

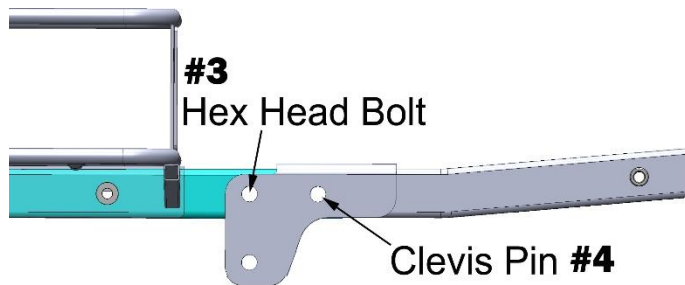
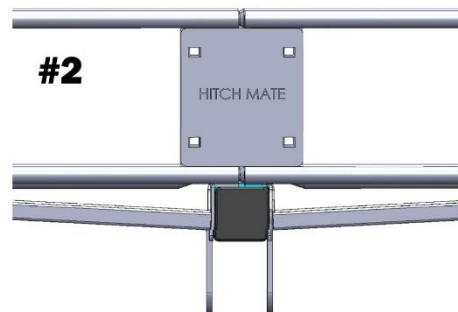
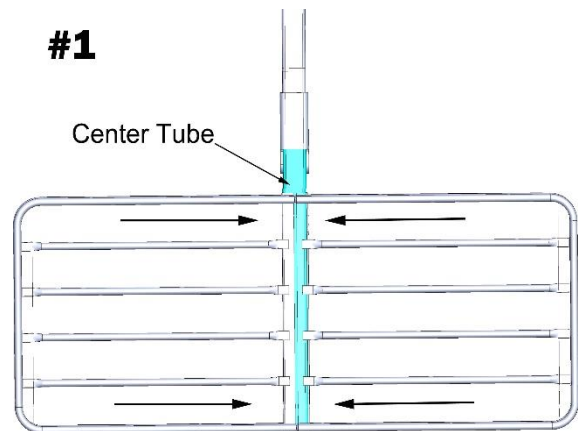
Toll Free 888-722-5240 (Pacific Coast, USA Time Zone)



HitchMate
Version 1.0

Assembling the Cargo Carrier

1. Connect the Hitch Baskets to the Center Tube with 3" carriage bolts, washers and nuts. Tighten with box wrench.
2. Attach the square plates to the front and back of the basket with 3/4" carriage bolts, washers and nuts. Tighten 8 bolts with box wrench.
3. Connect Receiver Tube to Center Tube with 4" Hex Head Bolt. Tighten with wrench.



4. Insert clevis pin and secure with bridge pin. When you want to fold up your cargo carrier, remove this pin, fold up carrier and re-insert the clevis pin and secure with bridge pin.
5. Insert the receiver tube into your vehicle's receiver hitch, align the pin holes and insert the threaded hitch bolt with star lock washer and standard washer. Tighten with open end wrench provided.



HitchMate[®]
Version 1.0

WARNINGS!

*****DO NOT EXCEED LOAD OF 500 LBS OR LOAD RATING OF HITCH RECEIVER SPECIFIED BY ITS MANUFACTURER.**

*****DO NOT USE ON A TRAVEL TRAILER, 5TH WHEEL OR TOWED VEHICLE.**

CARE AND MAINTANANCE

- Take time before you travel to make sure your cargo is securely fastened and in proper order.
- Before you drive, ensure every bolt and nut are tight and securely in place.
- Hand wash with mild soap and water. Dry with towel.

If you have questions: Call 888-722-5240

Email: info@heininger.biz

Office Hours Monday-Friday 8 A.M. – 4:30 P.M. Pacific Time (USA)



HitchMate[®]
Version 1.0

Two-Year Limited Liability, Warranty Policy

Heininger Holdings, LLC, warrants the original owner of each new HitchMate against defects in workmanship and materials for two years from the date of purchase (at retail) of the product, provided it is purchased from an authorized HitchMate dealer. This Limited Two Year Warranty is not transferable and shall only apply to normal and ordinary use, for which the product was intended.

Warranty claims are to be made directly to Heininger Holdings and must be accompanied by a sales receipt or other appropriate proof-of-purchase document. Should this product or any part or accessory be determined by Heininger Holdings, to be defective and covered by this Limited Two Year Warranty, it will be repaired or replaced at the option of Heininger Holdings, without further charge. The cost of transportation to and from the Heininger warranty inspection facility for repair or replacement of any defective part and/or accessory and any related charges is not covered by this warranty, and is to be paid by the owner.

The warranty does not cover normal wear and tear, worn and normal use cosmetic blemishes, improper assembly, lack of maintenance, or custom alteration/installation of any parts or accessories not originally intended or compatible with the product as sold. The warranty does not apply to damage or failure resulting from an accident, abuse or neglect.

This warranty is given in lieu of all other expressed warranties, implied warranties, including without limitation implied warranties of merchandising ability and fitness for a particular purpose, and are limited to the duration and specification of this warranty. In no event shall Heininger Holdings, be liable for damages in excess of the purchase price of the HitchMate, for any loss of use, loss of time, inconvenience, commercial loss, lost profits or savings or any incidental, special, consequential, direct or indirect damages arising out of the use or inability to use such product, to the full extent as such may be disclaimed by the law. Labor charges for part changeover are not covered by this warranty.