



Advantage
SportsRack®

Version 1.0

Chase Trunk/HatchBack 3-Bike Carrier

Instructions Manual

BEFORE YOU BEGIN

To ensure the best service and satisfaction from your Advantage SportsRack, please read and follow all instructions, recommendations, and warnings. Heininger Holdings, LLC is not responsible for damage or injury due to misuse of this product. Your purchase is greatly appreciated. Thank you. If you have any questions regarding the product, we always want to hear from you about our products and service.

Contact us at info@heininger.biz.

VERIFY ALL PARTS ARE INCLUDED IN PACKAGE:

Components List

- 1 - Main chassis (completely assembled)
- 6 - Flexible straps
- 4 - Foam Pads
- 1 - Hex Key

If you find a discrepancy, call us and we will help with any issues or questions.

Toll Free 888-722-5240 (Pacific Coast, USA Time Zone)

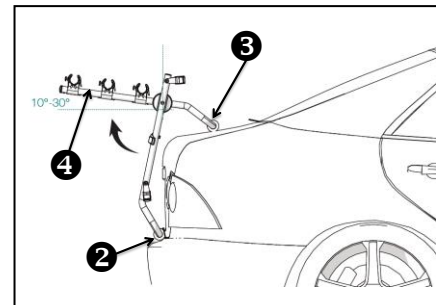
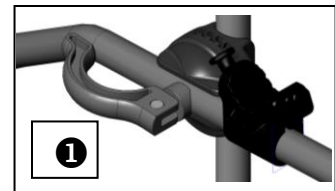


Advantage
SportsRack®

Version 1.0

Installation of the CHASE 3-Bike Carrier

- A. First clean the outside of your vehicle. This will avoid scratching the rack and your vehicle's finish.
- B. Release the two locking mechanisms (1) by loosening the levers (turn counter-clockwise.)
- C. Adjust the angle of the bike rack so that the bikes are as far as possible from your vehicle's bodywork. Make sure that the bottom (2) and top (3) feet are firmly against your vehicle. If your vehicle has a hatchback, the bottom foot (2) must be firmly against the bodywork and the top foot (3) must be positioned against the rear window. If your vehicle has a trunk, the bottom foot (2) and the top foot (3) must be firmly against the trunk lid or hatch.
- D. Adjust the arm to an angle of 10 to 30 degrees above the horizontal.
- E. Tighten the locking devices (1) by tightening the levers (turn clockwise.) Make sure that the teeth mesh correctly.
- F. Place the bike rack against the back of your vehicle and attach the hooks on the two top straps (5) to the top edge of the boot or hatchback*.
- G. Fasten the bottom straps (7) to the bottom edge of the boot or hatchback.
- H. Fasten the side straps (6) in a correct position* on the side of the boot, hatchback.

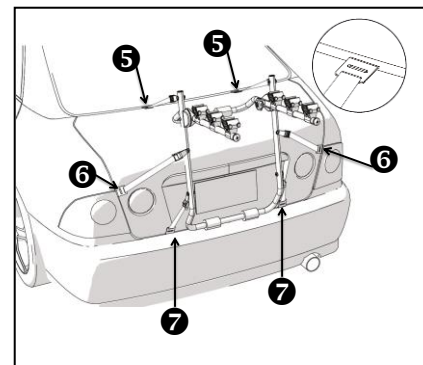


While installing the bike rack, repeatedly check that the rack is correctly centered on the rear of your vehicle and the straps are symmetrical.

*** CAUTION: ALWAYS FASTEN THE STRAPS TO METAL EDGES ON YOUR VEHICLE (GENERALLY THE INSIDE OF THE TRUNK OR HATCHBACK). NEVER FASTEN THE STRAPS TO HATCHBACK WINDOWS, RUBBER/PLASTIC PARTS OR VEHICLE TRIM.**

- The straps must be as taut as possible and never twisted. Progressively tighten each strap alternately and equally. Make sure that the bike rack is centered and securely in place while doing so.

- Make sure that the rubber pads are in proper contact with your vehicle's bodywork.





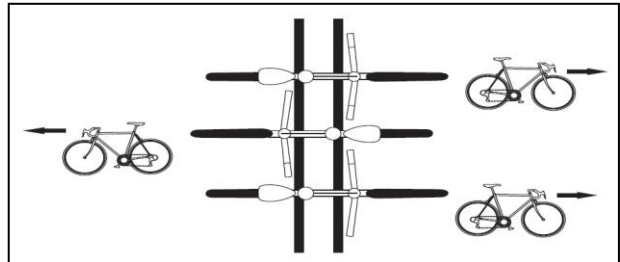
Advantage
SportsRack®

Version 1.0

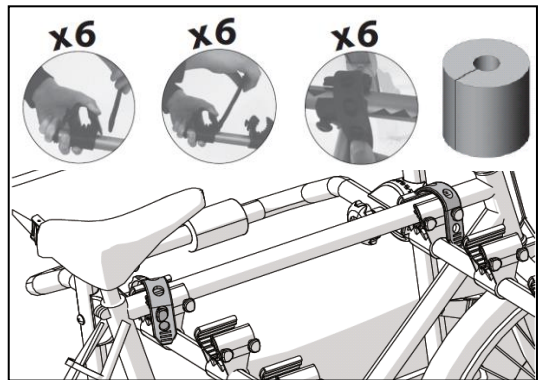
How to use your Chase 3-Bike Carrier

Loading bikes on the bike rack

- A. Load bikes in alternating directions on the plastic cradles so as to have the lowest possible center of gravity.

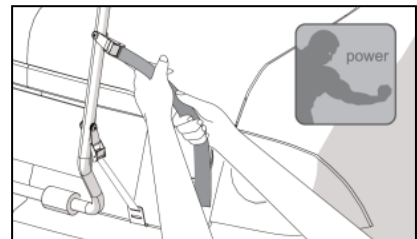


- B. Secure the bikes to the bike rack with the rubber straps. Make sure that the bikes are not in contact with your vehicle's bodywork. To prevent the bikes from rubbing against the bike rack, insert the split foam cushions.



- C. After loading bikes on the bike rack, retighten all the straps (5, 6, 7) and tie the excess lengths into tight knots at the bottoms of the loops to prevent them from flapping in the wind.

- D. Use the extra strap to secure bike tires/frames to the bike rack and prevent the bikes from swaying while on the road.



WARNING: THE DRIVER OF THE VEHICLE IS RESPONSIBLE FOR PROPERLY SECURING THE LOAD BEING TRANSPORTED. FREQUENTLY CHECK THE BIKES AND BIKE CARRIER WHILE ON THE ROAD.

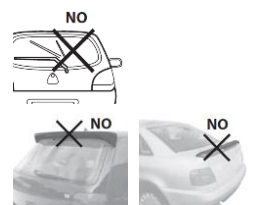


Advantage
SportsRack®

Version 1.0

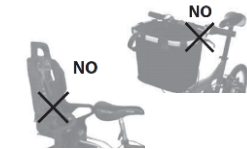
When in USE

- Make sure that the bike rack is suitable for your vehicle and that the bike rack and bikes are properly and adequately secured to it.
- Make sure that the bike rack and straps do not come into contact with any aerodynamic devices (spoilers, wings, rear view camera).
- During long trips, frequently and regularly check the tightness of the fastening straps on the bike rack and make sure that the bikes are securely in place.
- The maximum capacity of this bike rack is 90 lbs/45 kg (3 bikes). Never exceed this capacity.
- Limit your maximum speed to 55 mph-90km/h.
- Your vehicle's number plate and taillights may be hidden by the bike rack. All taillights must meet current applicable regulations. Always follow highway rules.
- Bikes must be properly secured to the rack using the fasteners supplied.
- The bike rack may affect your vehicle's driving and handling behavior (sensitivity to side winds, behavior when negotiating corners and bends and during braking), particularly when it is loaded. Adjust your driving to these changes. We strongly advise you to slow down especially on corners and to bear in mind that braking distances may be longer.
- Place the heaviest bike onto the rack first (closest to your vehicle).



Care, Caution and Maintenance

- Do not use your vehicle's rear windscreen wiper when the bike carrier is fitted.
- This bike carrier is not designed to be permanently installed on vehicles. Remove and thoroughly wash it when not in use.
- Remove the bike rack before entering an automatic car wash.
- Do not neglect the condition of this bike carrier. It is important to keep the bike rack in good condition.
- Remove all accessories from bikes (child seats, baskets, bags, water bottles) before placing them on the bike rack
- Make sure the vehicle engine is shut off before/during any loading or adjusting to the bikes and CHASE 3-Bike Carrier.
- Do not use the CHASE 3-Bike Carrier as a towing or anchoring device.
- Use the CHASE 3-Bike Carrier only for its intended use as described in this manual/literature.





Advantage
SportsRack®

Version 1.0

- Stop using your CHASE 3-Bike Carrier immediately if it appears unstable or if damage is visible. Never use undue force to operate or adjust your CHASE 3-Bike Carrier.
- Follow all instructions and warnings. Failure to do so can result in injury. Be thoroughly familiar with the assembly, operation, proper use and maintenance of this product.

Please share & show your vehicle with the CHASE 3-Bike Carrier by uploading a photo/comments onto the **Advantage SportsRack** Facebook page.

If you have questions: Call 888-722-5240

Email: info@heininger.biz Hours Monday-Friday 8 AM-5 PM Pacific Time

One-Year Limited Liability, Warranty Policy

Heininger Holdings, LLC, warrants the original owner of each new Advantage SportsRack product against defects in workmanship and materials for one year from the date of purchase (at retail) of the product, provided it is purchased from an authorized Advantage SportsRack dealer. This Limited One Year Warranty is not transferable and shall only apply to normal and ordinary use, for which the product was intended.

Warranty claims are to be made directly to Heininger Holdings and must be accompanied by a sales receipt or another appropriate proof-of-purchase document. Should this product or any part or accessory be determined by Heininger Holdings, to be defective and covered by this Limited One Year Warranty, it will be repaired or replaced at the option of Heininger Holdings, without further charge. The cost of transportation to and from the Heininger warranty inspection facility for repair or replacement of any defective part and/or accessory and any related charges is not covered by this warranty, and is to be paid by the owner.

The warranty does not cover normal wear and tear, worn and normal use cosmetic blemishes, improper assembly, lack of maintenance, or custom alteration/installation of any parts or accessories not originally intended or compatible with the product as sold. The warranty does not apply to damage or failure resulting from an accident, abuse or neglect.

This warranty is given in lieu of all other expressed warranties, implied warranties, including without limitation implied warranties of merchandising ability and fitness for a particular purpose, and are limited to the duration and specification of this warranty. In no event shall Heininger Holdings, be liable for damages in excess of the purchase price of the Advantage SportsRack product, for any loss of use, loss of time, inconvenience, commercial loss, lost profits or savings or any incidental, special, consequential, direct or indirect damages arising out of the use or inability to use such product, to the full extent as such may be disclaimed by the law. Labor charges for part changeover are not covered by this warranty.

Advantage is a registered trademark of Heininger Holdings, LLC, Bellingham, WA,